



shop online or call 620-221-0123

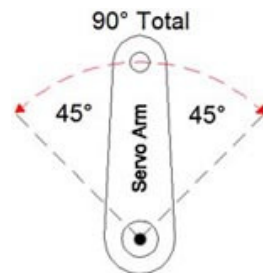
WE HAVE THE PARTS FOR YOUR IDEAS!


[ServoCity](#) - [Servos & Accessories](#) - [Hitec Servos](#) - [HS-322HD Standard Deluxe](#)

HS-322HD Standard Deluxe

[Shopping Cart](#)
[Radios & Accessories](#)
[Servos & Accessories](#)
[Pan/Tilt/Roll & Accessories](#)
[Robots & Accessories](#)
[Motors & Accessories](#)
[Mechanicals & Accessories](#)
[Electronics & Accessories](#)
[Software & Accessories](#)
[Batteries & Accessories](#)
[Wire/Connectors & Access.](#)
[Web Specials](#)
[Questions and Comments](#)
MAXIMUM TORQUE → **51 oz-in.**
MAXIMUM SPEED → **0.15 sec/60°**

The key to the great performance and durability of the HS-322HD servo is linked to its Karbonite geartrain and one peice circuit board. Karbonite gears are nearly 4 times stronger than nylon gears and provide virtually wear-free performance. The HS-322HD servo is also the most powerful servo under \$10! Great gears, great electronics and a great price equal a great servo.

[→ Analog Servo](#)

[Detailed Specifications](#)
Control System: +Pulse Width Control 1500usec

Neutral

Required Pulse: 3-5 Volt Peak to Peak Square Wave

Operating Voltage: 4.8-6.0 Volts

Operating Temperature Range: -20 to +60 Degree C

Operating Speed (4.8V): 0.19sec/60° at no load

Operating Speed (6.0V): 0.15sec/60° at no load

Stall Torque (4.8V): 42 oz/in (3.0 kg/cm)

Stall Torque (6.0V): 51 oz/in (3.7 kg/cm)

Current Drain (4.8V): 7.4mA/idle and 160mA no load operating

Current Drain (6.0V): 7.7mA/idle and 180mA no load operating

Dead Band Width: 5usec

Operating Angle: 40 Deg. one side pulse traveling 400usec

Direction: Clockwise/Pulse Traveling 1500 to 1900usec

Motor Type: Cored Metal Brush

Potentiometer Drive: 4 Slider/Direct Drive

Bearing Type: Top/Resin Bushing

Gear Type: Heavy Duty Resin

360 Modifiable: Yes

Connector Wire Length: 11.81" (300mm)

Dimensions: 1.57" x 0.79"x 1.44" (40 x 20 x 36.5mm)

Weight: 1.52oz (43g)

Blowout!

Limited Time Only
While Supplies Last

 Price: ~~\$9.99~~ \$7.99

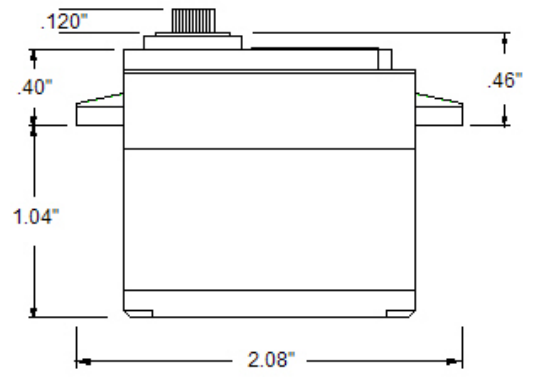
Part: 33322S

 Status: [→ Out of Stock](#)

 Rotation:

 Direction:

 Qty:

Copyright 1999-2008 Robotzone, LLC. - All Rights Reserved
ServoCity is a registered trademark of Robotzone, LLC.